

WATER•LOK™

GRADE WORK PROTECTION SYSTEM

Inflow & Infiltration (I&I) deterioration of grade work is one of the leading causes of pothole formation around manholes. Grade work is constantly being attacked by the pounding and vibration of traffic, the corrosive effect of chemicals produced by bacteria found in sewer systems, and the freeze/thaw cycle. These forces destroy the grade work by creating voids that eventually turn into potholes.

Protect your grade work with WATER•LOK.

WATER•LOK is a telescopic liner system that protects the grade work area from water infiltration as well as chemical attack. The self adjustability of the system allows it to compensate for grade movement after installation.

Water•LOK can be used in both new and rehabilitation projects and is compatible with all mechanical means for securing castings to structures.

BRING YOUR GRADE WORK UP TO GRADE WITH WATER•LOK

IS YOUR GRADE WORK PROTECTED?



The Problem With Unprotected Grade Work.



The Solution is WATER•LOK!



697 Main Street • P.O. Box 1647 • Tullytown, PA 19007
800-822-2565 • 215-547-3366 • 215-547-5260 Fax
<http://www.a-lok.com> • e-mail info@a-lok.com

WATER•LOK™

Durability

Made from materials highly resistant to a sewer system's corrosive environment.

Adjustability

Telescopic design allows up to 14" of vertical movement along with enough deflection to accommodate changes in grade, or road height due to re-paving.

Reliability

High quality O-rings and butyl create a permanent watertight seal without the need for mechanical parts or tools.

Can not be accidentally dislodged while entering or exiting structure.

Compatibility

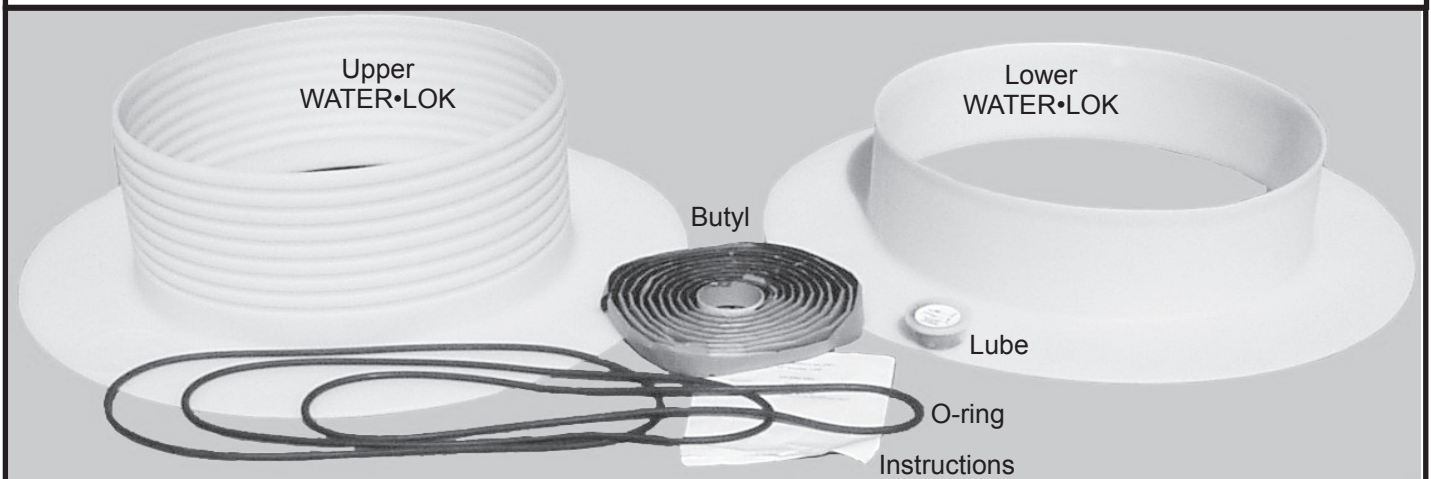
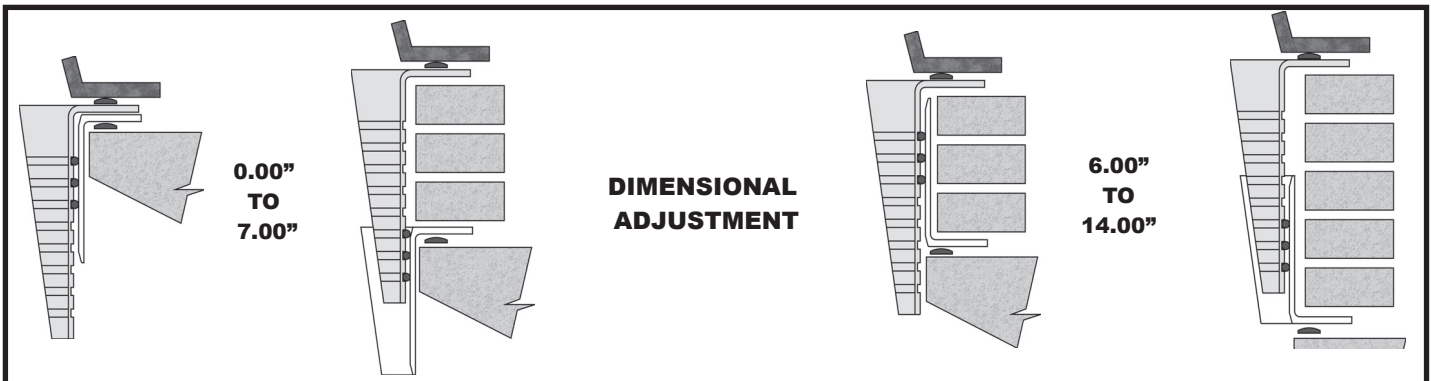
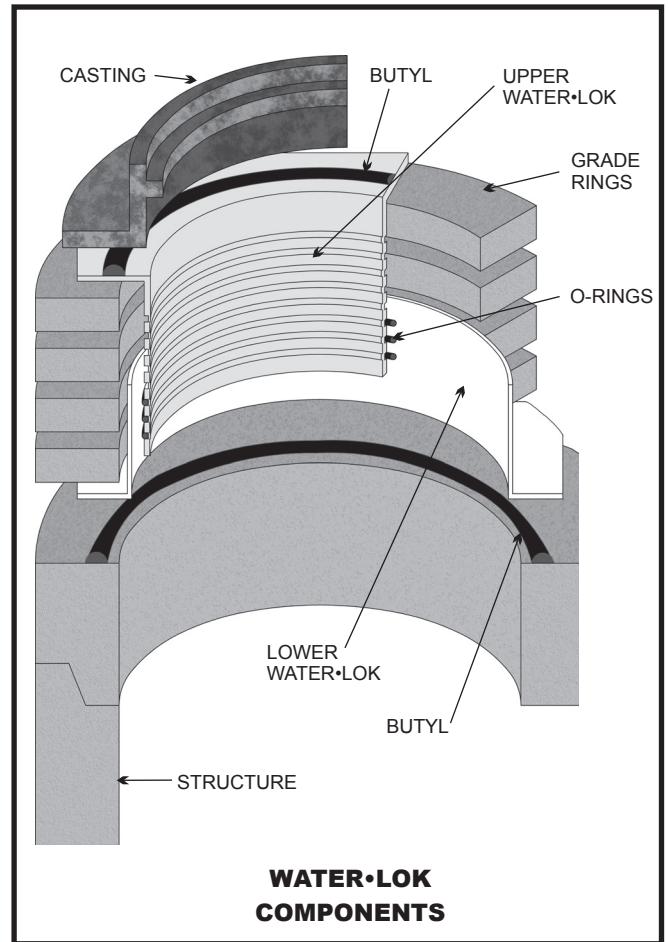
Use with the Dura-Plate 100 Liner system for total structural corrosion protection.

Availability

Available for 24" and 30" structure openings

Testability

When vacuum testing is required expandable steel bands are available to hold O-Rings in place and retain the shape of the Upper and Lower Water-Lok Parts.



WATER•LOK Installation Kit

Every WATER•LOK connector is shipped boxed with everything needed for installation. Instructions, O-rings, Lube, Butyl and Connectors.